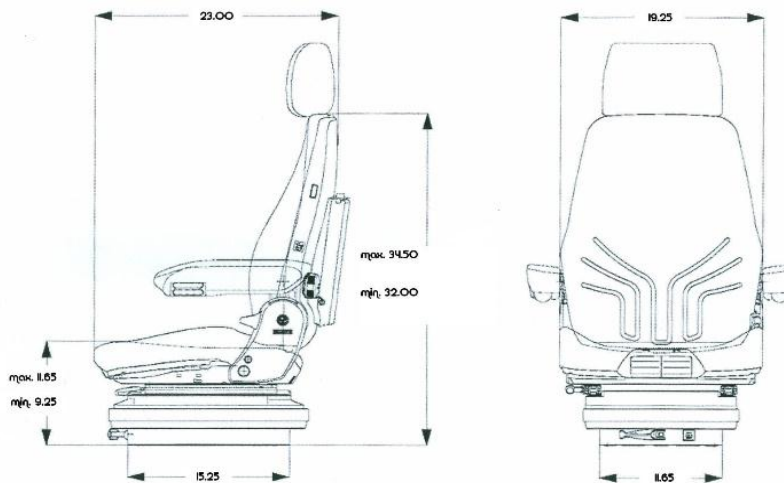
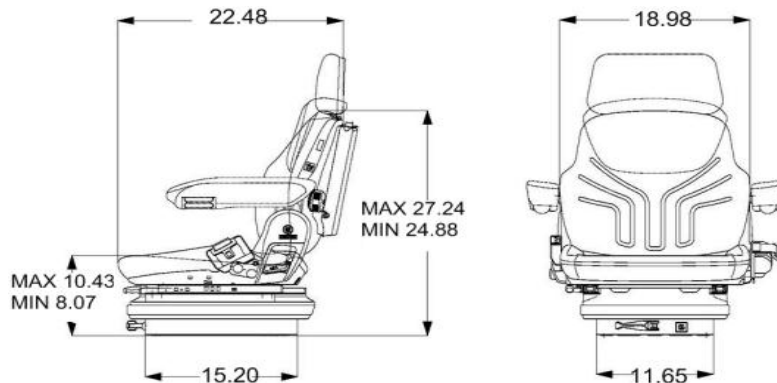


CRANE CAB & PULPIT CHAIRS

High Back #143



Low Back #144



- Fixed Riser (F) _____ (select # of inches needed between 2"-12")
- Standard seats are cloth/velour, vinyl is optional, please specify (V)
- Adjustable Risers (AR) _____ 7.5"-15" (adjustable height)
- Swivel (S) _____ (adds 1" height, 360 degree incremental locking)
- Sides (SL) _____ specify length, * Seat Belt (SB)

NOTE: Riser height and swivel height are added to chair height for a total height from floor.
Example: Low back seat (8.07"-10.43") + 10" fixed riser + 1" swivel would be ordered as #144-10F-S
and would be between 19.07"-21.43" off the cab floor.

POW-R-MOTION & CONTROL, INC.

21 Wilson Avenue, West Chester, PA 19382, Phone 610.696.7664, Fax 610.430.0130

Website: www.pow-r-motion.com

Email: sales@pow-r-motion.com